



Industrial Wireless Access Point

■ ■ AW5500

RoHS compliant

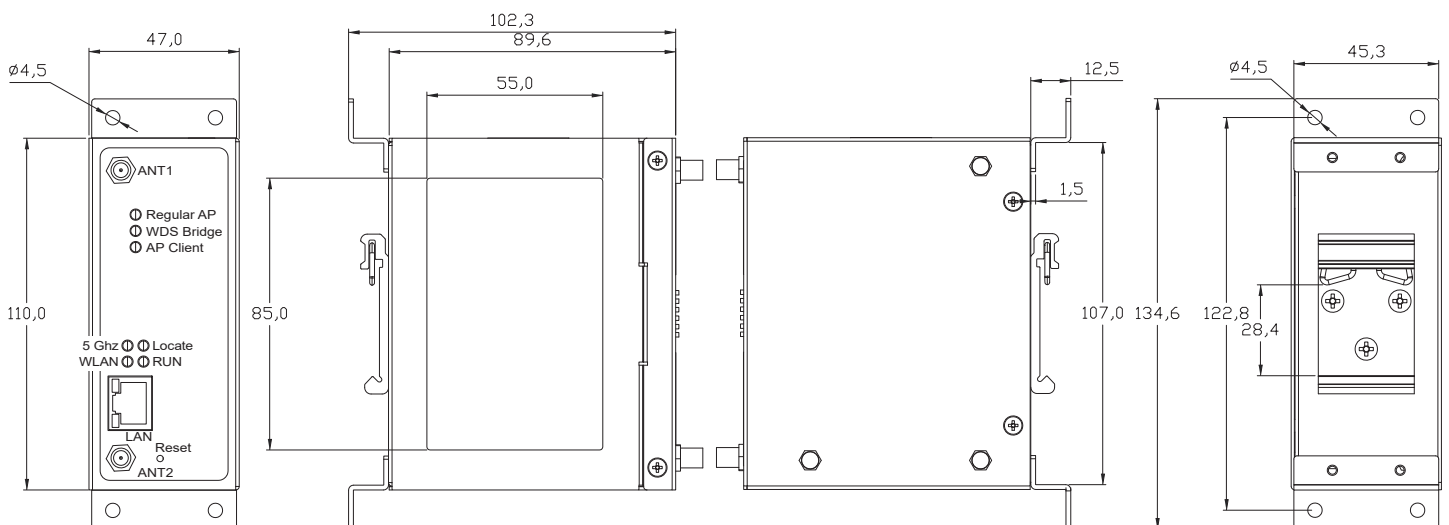
- Designed for 802.11a/b/g/n networks
- Operating temperature: -10°C ~ 60°C
- Web server/Utility configuration
- Upgrade via Device View or Web server
- 5 GHz frequency support to reduce interference on 2.4 GHz with other wireless devices
- Client isolation
- Different operating modes and topology options (WDS Bridge and AP Client)
- FCC (United States), ETSI (Europe), and NCC (Taiwan) certified wireless equipment

Suitable in a wide array of applications, the new AW5500 is able to withstand harsh conditions typically found in the industry.

AW5500 is also design thinking on your security, state of the art encryption as well as having the ability to create a virtual network among wireless clients; this level of communication between clients can be easily and intuitively controlled using this option, imposing restrictions on data and excluding malware at the same time. AW5500 embodies a strong wireless network manager that will surely deliver optimum performance in your network.

Front and Left Side View

Back and Right Side View



Top and Bottom View

Specifications

Power Characteristics

Input Voltage	9VDC-48VDC
Input Current(9VDC)	0.65A
Power Consumption	Approx. 5.85W (max)
Reverse Polarity Protection	Yes
Connection	3-pin Lockable Terminal Block

Mechanicals

Dimensions	47 * 110 * 90 mm
Installation	DIN-Rail, wall mount (optional kit)
Reset Button	Yes

Environmental Limits

Operating Temperature	-10°C ~ 60°C (14°F ~ 140°F)
Storage Temperature	-40°C ~ 85°C (-40°F ~ 185°F)
Ambient Relative Humidity	5 ~ 95% RH, (non-condensing)

Hardware Characteristics

Watchdog	Hardware built-in
Ethernet Switch & PHY	IEEE802.3ab 1000 Base-T

Software Features

Operation Modes	AP, WDS Hybrid, AP Client
Wireless Security	WEP, WPA, WPA2, TKIP, AES, 802.1x
Network Security	Client Isolation, Firewall / Filtering, Turn off Radio
Alerts Events	E-mail / SNMP Trap
Supported Protocol	ICMP, TCP, UDP, DHCP Server/Client, DNS, SNMP, NTP, SMTP, HTTP, IPv4, 802.1x, RADIUS, STP/RSTP

Warranty	5 years
----------	---------

Regulatory Requirements

EMS	EN55032, EN55024
EMC	EN 301489-1 V2.2.0; EN301489-17 V3.2.0; FCC 15B (Class A), CNS 13438
Radio	FCC 15C 15.247, FCC 15E 15.407, EN 301893 V2.1.1, EN 300328 V2.1.1, NCC LP00002
EMF	EN 62311: 2008, EN 50385: 2002

Test		Item	Value	Level
EN61000-4-2	ESD	Contact Discharge	±8KV	4
		Air Discharge	±15KV	4
EN61000-4-3	RS	Radiated (Enclosure)	10(V/m)	3
EN61000-4-4	EFT	AC Power Port	±2.0 KV	3
		LAN Port	±2.0 KV	4
EN61000-4-5	Surge	AC Power Port	Line-to-Line±1.0 KV	3
		AC Power Port	Line-to-Earth±2.0 KV	3
		LAN Port	Line-to-Earth±2.0 KV	3
EN61000-4-6	CS	Conducted (Enclosure)	10 V rms	3
EN61000-4-8	PFMF	(Enclosure)	10(A/m)	3

Safety	UL60950-1/CB, EN60950-1, CNS 14336
Shock	IEC 60068-2-27
Freefall	IEC 60068-2-32
Vibration	IEC 60068-2-6
MTBF	22 years (MIL-HDBK-217F)
RoHS	Yes

Wireless Characteristics

Wireless PCI-e Module	Atheros AR9382
Tx / Rx	2T2R MIMO (2x2 with MCS 0-15)
Standard Conformance	802.11a, 802.11b, 802.11g, and 802.11n

Operating Frequency		
	2.4Ghz	5Ghz
United States (FCC)	2412-2462(20Mhz)/2422-2452(40Mhz)	5180-5240, 5745-5825(20Mhz)/5190-5230, 5755-5795(40Mhz)
Europe (ETSI)	2412-2472(20Mhz)/2422-2462(40Mhz)	5180-5240(20Mhz)/5190-5230(40Mhz)
Taiwan (NCC)	2412-2462(20Mhz)/2422-2452(40Mhz)	5280-5320, 5745-5825(20Mhz)/5310, 5755-5795(40Mhz)

Data Rate	
802.11a	6, 9, 12, 18, 24, 36, 48,54Mbps
802.11b	1, 2, 5.5 and 11Mbps
802.11g	6, 9, 12, 18, 24, 36, 48, 54Mbps
802.11n	20MHz bandwidth: 1Nss: 65Mbps @ 800GI, 72.2Mbps @ 400GI (Max.) / 2Nss: 130Mbps @ 800GI, 144.4Mbps @ 400GI (Max.) 40MHz bandwidth: 1Nss: 135Mbps @ 800GI, 150Mbps @ 400GI (Max.) / 2Nss: 270Mbps @ 800GI, 300Mbps @ 400GI (Max.)

Antenna (5GHz)	
Gain	5 dBi
Connector	Dual SMA(R) Female

Output Power (5GHz)				
802.11a	+15dBm @ 6, 9, 12, 18, 24Mbps / +15dBm @ 36Mbps / +14dBm @ 48Mbps / +12dBm @ 54Mbps			
802.11n 5GHz/HT20	+15dBm @ MCS 0/8 +15dBm @ MCS 2/10	+15dBm @ MCS 4/12 +9 - 12dBm @ MCS 6/14	+15dBm @ MCS 1/9 +15dBm @ MCS 3/11	+11 - 14dBm @ MCS 5/13 +7 - 10dBm @ MCS 7/15
802.11n 5GHz/HT40	+14dBm @ MCS 0/8 +14dBm @ MCS 4/12	+14dBm @ MCS 1/9 +10- 13dBm @ MCS 5/13	+14dBm @ MCS 2/10 +8 - 11dBm @ MCS 6/14	+14dBm @ MCS 3/11 +6 - 9dBm @ MCS 7/15

Antenna (2.4GHz)	
Gain	3 dBi
Connector	Dual SMA(R) Female

Output Power (2.4GHz)				
802.11b	+14dBm			
802.11g	+17dBm @ 6, 9, 12,18,24Mbps / +17dBm @ 36Mbps / +16dBm @ 48Mbps / +16dBm @ 54Mbps			
802.11n 2.4GHz/HT20	+16dBm @ MCS 0/8 +16dBm @ MCS 2/10	+16dBm @ MCS 4/12 +16dBm @ MCS 6/14	+16dBm @ MCS 1/9 +16dBm @ MCS 3/11	+16dBm @ MCS 5/13 +15dBm @ MCS 7/15
802.11n 2.4GHz/HT40	+15dBm @ MCS 0/8 +15dBm @ MCS 2/10	+15dBm @ MCS 4/12 +15dBm @ MCS 6/14	+15dBm @ MCS 1/9 +15dBm @ MCS 3/11	+15dBm @ MCS 5/13 +14dBm @ MCS 7/15

Receiver Sensitivity							
	Data Rate	IEEE Spec(1 Rx dBm)	Typical/Maximum(2Rx dBm)		Data Rate	IEEE Spec(1 Rx dBm)	Typical/Maximum(2Rx dBm)
802.11a	6M	-82	-95/-85	802.11a/n HT40	MCS0	-79	-92/-82
	9M	-81	-94/-84		MCS1	-76	-90/-79
	12M	-79	-93/+82		MCS2	-74	-87/-77
	18M	-77	-90/-80		MCS3	-71	-84/-74
	24M	-74	-88/-77		MCS4	-67	-80/-70
	36M	-70	-84/-73		MCS5	-63	-76/-66
	48M	-66	-82/-69		MCS6	-62	-74/-65
	54M	-65	-81/-68		MCS7	-61	-72/-64
802.11b	1M	not specified	-98/-85	802.11b/g/n HT20	MCS0	-82	-95/-85
	5.5M	not specified	-98/-85		MCS1	-79	-94/-82
	11M	not specified	-94/-85		MCS2	-77	-92/-80
802.11g	6M	-82	-96/-85	802.11b/g/n HT40	MCS3	-74	-89/-77
	9M	-81	-96/-84		MCS4	-70	-86/-73
	12M	-79	-95/-82		MCS5	-66	-82/-69
	18M	-77	-93/-80		MCS6	-65	-80/-68
	24M	-74	-90/-77		MCS7	-64	-78/-67
	36M	-70	-87/-73		MCS0	-79	-92/-82
	48M	-66	-83/-69		MCS1	-76	-92/-79
	54M	-65	-82/-68		MCS2	-74	-89/-77
802.11a/n HT20	MCS0	-82	-94/-85	MCS3	-71	-86/-74	
	MCS1	-79	-92/-82	MCS4	-67	-83/-70	
	MCS2	-77	-90/-80	MCS5	-63	-77/-66	
	MCS3	-74	-87/-77	MCS6	-62	-76/-65	
	MCS4	-70	-84/-73	MCS7	-61	-75/-64	
	MCS5	-66	-79/-69				
	MCS6	-65	-78/-68				
	MCS7	-64	-76/-67				

Ordering Information

AW5500 P/N:1P1AW550000001G
Industrial Wireless Access Point

Optional Accessories

UN315-1212 (US-Y) Power Adapter	P/N: 50500151120003G Y-Type power adaptor, 100-240VAC input, 1.25A @ 12VDC output, US plug LV6
UNE315-1212 (EU-Y) Power Adapter	P/N: 50500151120013G Y-Type power adapter, 100~240VAC input, 1.25A @ 12VDC output, EU plug, LV6
UN315-2465 (US)	P/N: 50500161240002G Y-Type power adapter, 100~240VAC input, 0.65A @ 24VDC output, US plug, LV6
UNE315-2465 (EU)	P/N: 50500161240012G Y-Type power adapter, 100~240VAC input, 0.65A @ 24VDC output, EU plug, LV6

Atop Technologies, Inc.

TEL : +886-3-5508137
FAX : +886-3-5508131
sales@atop.com.tw
[http : //www.atop.com.tw](http://www.atop.com.tw)

Design and specification are subjected to change without notice.
All product names referenced herein are registered trademarks of their respective companies.

DA_AW5500_E : V4_170628