



ATOP SDK

Your Gateway
to Industry 4.0

Whitepaper

Engineered and
manufactured
in Taiwan

Contents

Industrial Internet of Things

3 Industry 4.0 and Smarter Solutions

Providing IIoT Connectivity

4 SDK Solutions from ATOP

5 Top-to-bottom Customization and Flexibility

Visual Programming for IIoT

6 An Environment for Smarter Developments

7 Node-RED development environment

Industrial Internet of Things

8 SDK-friendly hardware range from ATOP

10 SE5901B SDK Platform

12 SE5901 SDK Platform

14 SE5904D SDK Platform

16 SE5908/ SE5916 SDK Platform

18 SE5900A/ SE5908A/ SE5916A SDK Platform

The Industrial Internet of Things Powering Smarter Industries

The Industrial Internet of Things (IIoT), also known as Industry 4.0 is an emerging business practice that is set to revolutionize Industrial Automation. Through the use of interconnected intelligent devices and Big Data analytics, IIoT is greatly increasing the efficiency and scalability of industrial organizations. For example, organizations are already reducing operational costs with predictive maintenance and improved safety. And by connecting people with operational data for deeper insights, IIoT is providing organizations with a more accurate and immediate overview of operations, leading to better decision-making – from factory floors to the executive offices.

But although IIoT brings many advantages, it is not without its challenges. The more devices that can be remotely controlled, the more points of entry there are that become susceptible to network penetrations. Such instances can threaten continued operations or system control. In addition to security, hardware has to be able function in harsh environments and provide industrial reliability, which means requiring rugged housing to ensure performance in harsh environments. And historically different edge devices have used different protocols for sending and receiving data, so interoperability has to be factored in too for transitioning to IIoT.

To combat these challenges, **ATOP has developed a range of IIoT-ready SDK solutions to make it simple for industries to empower their businesses with IIoT connectivity.** By offering secure network connections in rugged housing for use in harsh industrial environments, our range of Industrial Embedded Edge computers can be relied upon to provide a secure backbone for IIoT applications, all while supporting an array of industry-standard protocols to ensure interoperability. And by using our easy-to-use development environment, developers are able to tailor their application for their specific industrial needs with minimum effort.

IIoT Building Blocks

SDK Solutions from ATOP

Utilizing a proven SDK, ATOP's rugged hardware offers ideal building blocks for bringing IIoT connectivity to your network, by providing you with full hardware control for tailoring communications between devices, the Cloud, and your application requirements. In addition to a solid Linux workplace, our easy-to-use development environment helps simplify your workflow design, by offering a full set of powerful APIs. These can be used in your binary application, or they can be used to wire visually in our customized version of Node-RED.

Configurable Hardware

Our SDK-ready networking devices have extensive expansion capabilities to accommodate I/O and interface cards, graphics cards, additional memory and increased storage capacity, allowing them to be configured for your specific application. For example, your customized application can be written in C language and run on our powerful Industrial low-power 800MHz ARM Cortex A8 TI Sitara AM3354 CPU. But if you prefer a more user-friendly environment, then you can use our Atop-Customized NodeRED environment SD-Card. Based on Node.js, Node-RED is an open source Building-Block programming environment that allows you to build your IIoT application within a user-friendly, hardware-tailored application design environment.

Reliable Hardware

With over 25 years of experience, ATOP has built a reputation for developing and manufacturing hardware that performs reliably in harsh environments, that offers data security over networks, and that has the performance and fast responsiveness to make sure that your network performs and delivers under demanding circumstances.

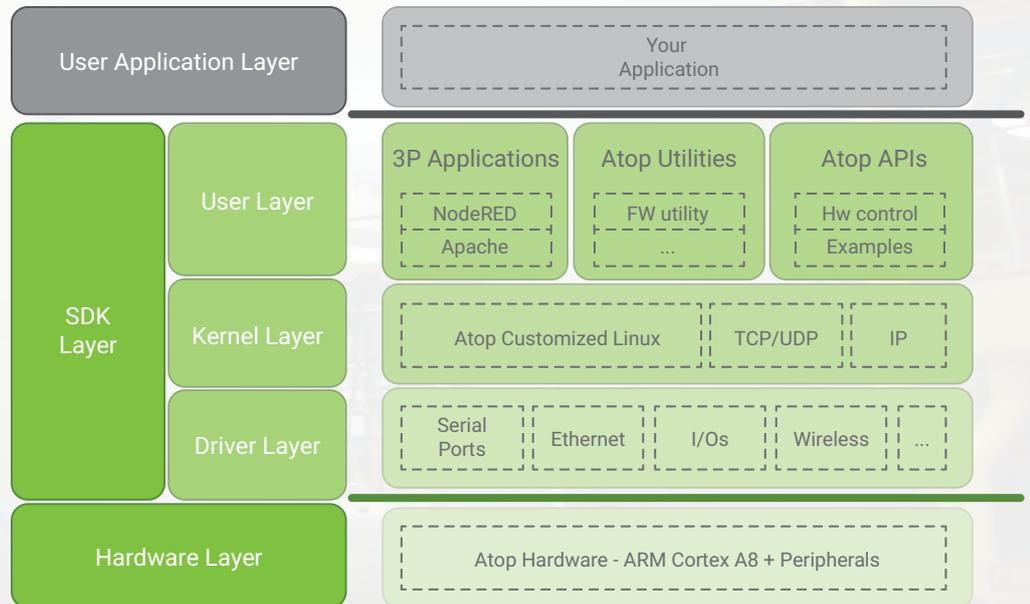
For instance, our SE5901B offers high EMC protection, a wide temperature operation, and an array of models to ensure you have the flexibility to use a device that is specific to your application in the field. A dedicated I/O version provides 2 Digital Inputs and 2 Digital Outputs; a GPS version provides Global positioning system geolocation; and, specifically for IIoT, a version that provides additional 15 seconds power during a power failure, allowing the device to relay its failure status back to the host.

Top-to-bottom Customization and Flexibility

At ATOP we design both hardware and software. This allows us to integrate the two together to engineer solutions that offer ultimate performance and reliability, by selecting the most reliable hardware components and developing software to best take advantage of that hardware.

The devices are tested in ATOP's test center to ensure not only maximum performance, but reliability in the field as well, so that perform in harsh environments, even under full loading.

Our SDK embeds a customized Kernel, perfectly integrated stacks, a Webserver and a series of pre-loaded APIs to allow you to get the best from the hardware. This, in combination with countless Application Source Code examples and the supporting toolchain, allows you to build your application very efficiently, no matter the complexity of application.

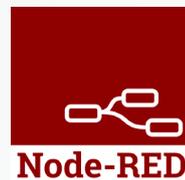


Visual Programming with Node-RED

An Environment for Smarter Developments

Introduction

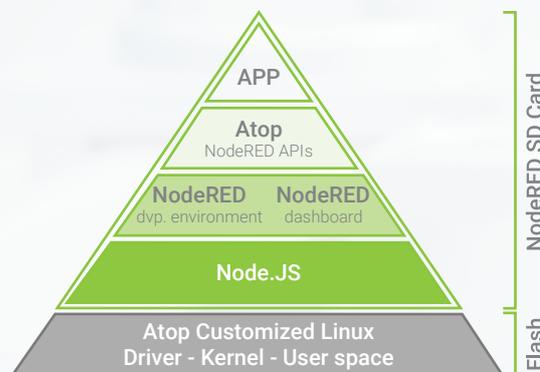
Node-RED is a programming tool for wiring together hardware devices, APIs and online services. As a flow-based programming tool, Node-RED breaks down an application's behavior into discrete components called Nodes. Each node has a well-defined purpose: it receives data; processes it, and then it passes that data on, with the network being responsible for the flow of data between the nodes. What this does is to separate the control flow of software from the actual software logic, allowing Node-RED users to understand the flow of data and direct it with simple links, all without needing to understand the individual lines of code of each node.



Using Node-RED, developers can wire input, output, and processing nodes to create flows to process data, control things, and send alerts. You can wire up web services or custom nodes to each other to perform actions. Created flows are stored using JSON, which can be easily be imported and exported for sharing flows with other users in your organization. And because the Node-RED lightweight runtime is built on Node.JS, it is ideal for running at the edge of a network on our hardware, as well as in the Cloud.

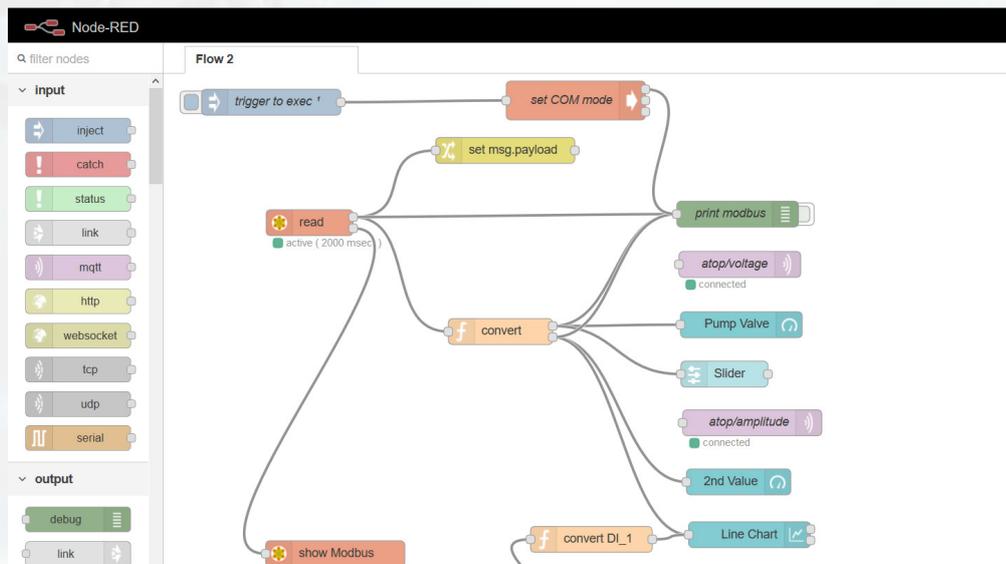
Node-RED on ATOP

On ATOP's devices, Node.JS and NodeRED run on ATOP's Customized version of Linux, so there is no hassle of having to install and port Node-RED to the platform. ATOP's customized version of Node-RED is supplied on SD and Micro SD cards or USB sticks. Node-RED will be automatically run on ATOP's devices out of the box, so you won't have to write any startup script, which normally requires knowledge of both Linux and ATOP's platform to perform. This allows you to concentrate better on developing, without worrying about how to build an environment in which to develop.



Node-RED Development Environment

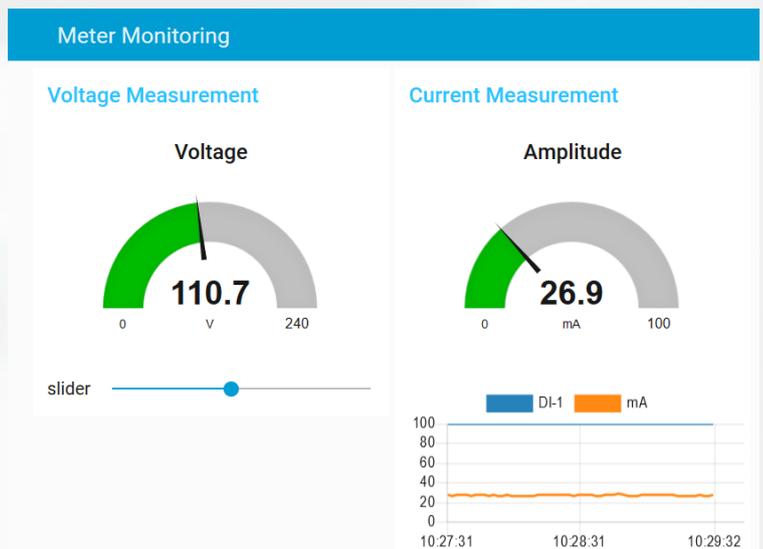
Node-RED consists of a Node.js-based runtime, which you can access through a web browser. From the browser, you create your application by dragging nodes into the Node-RED workspace. You can then wire them together from an array of options. For added flexibility, individual code can also be used. Then with a single click, the application can be deployed to the runtime. The ATOP-customized NodeRED Environment provides the already customized building-blocks that will allow you to access the hardware-specific features, such as Digital Inputs/Outputs, Serial ports, Buzzer, Relays 3G/4G featur and more.



Node-RED’s dashboard nodes provide a comprehensive set of UI components for building fully functional dashboards that are suitable for IIoT and industrial applications. Known as Dashboard Widgets, they include bar charts, donut charts, gauges, notifications, basic text, as well as sliders, inputs, and forms.

For example, a gauge display can be used for displaying all the physical measurements in a known range, such as temperature, humidity, atmospheric pressure, and wind speed. A donut chart can be used for displaying several values, such as the distribution of power consumed by different devices.

It’s this sort of flexibility in Node-RED’s dashboard that allows such ease-of-use to be combined with powerful applications.



SDK Solutions from ATOP

Our SDK-ready devices have extensive customization options that allow us to offer you a device that can be as close as possible to Your final needs.

Devices offer different I/O options, power input, Power over Ethernet, Fiber Optic or Copper Ethernet Connectivity, DSub-9 or Terminal Block connectors and when needed Optional isolation.

The devices come by default with the Flash/RAM configuration described in the datasheets but are scalable to larger memory when required. For specific needs, feel free to ask to Your Distributor or ATOP Sales Representatives.

Our Industrial Embedded Computers offer support for various Industry-standard protocols, making them ideal flexible gateways to providing IIoT connectivity.

They can be supplied fully configured and integrated into racks.

Rugged Building Blocks for supporting IIoT in Your Network



SE5901B SDK

3G/4G LTE 1-Ethernet 1-Serial port
Industrial Embedded Edge Computer with Opt. IOs
Page 10



SE5901 SDK

2-Ethernet 1-Serial port
Industrial Embedded Edge Computer
Page 12



SE5904D SDK

2-Ethernet 4-Serial port
Industrial Embedded Edge Computer
Page 14



SE5908 / SE5916 SDK

2-Ethernet and 8 / 16-Serial port
Industrial Embedded Edge Computer
Page 16



SE5900A SDK

6-Ethernet ports IEC61850-3 Certified
Industrial Embedded Edge Computer
Page 18



SE5908 / SE5916 SDK

6-Ethernet 8 or 16-Serial port IEC61850-3 Certified
Industrial Embedded Edge Computer
Page 18

SE5901B SDK Series

3G/4G LTE Cellular to Ethernet and Serial Industrial Embedded Edge Computer



FEATURED HIGHLIGHTS

- Ideal for IoT and IIoT applications; supports NodeRED and dashboard
- Extensive 3G and LTE Band Support:
 - EU: 2100/1800/850/2600/900/800MHz (B1/B3/B5/B7/B8/B20)
 - US: 1900/AWS/850/700/700/1900MHz (B2/B4/B5/B13/B17/B25)
- High-performance IPsec VPN throughput; data-rate up to 37.9Mbps*
- Wide temperature range for Industrial-grade performance
- 1 x 10/100/1000Mbps Ethernet port
- 1 x RS-232/485 port – baud rate up to 921.6 Kbps
- 1 x USB2.0 high speed OTG port; 1 x Port USB Power-only port
- 2 x Digital Inputs; 2 x Relays in the I/O version
- Additional embedded power-bank for fault-relay capability in B Version

PRODUCT DESCRIPTION

Overview

SE5901B SDK is your ideal solution for decentralized Edge applications, where 3G/4G connectivity is a must. Based on a high-performance TI Sitara AM3354-800MHz CPU, SE5901B embeds an Industrial Cellular module for high-speed applications, one Gigabit RJ45 port, up to two Serial ports and a high-speed USB 2.0 port. CE and FCC Certified, SE5901B's wide Operation Temperature allows deployment in critical environments.

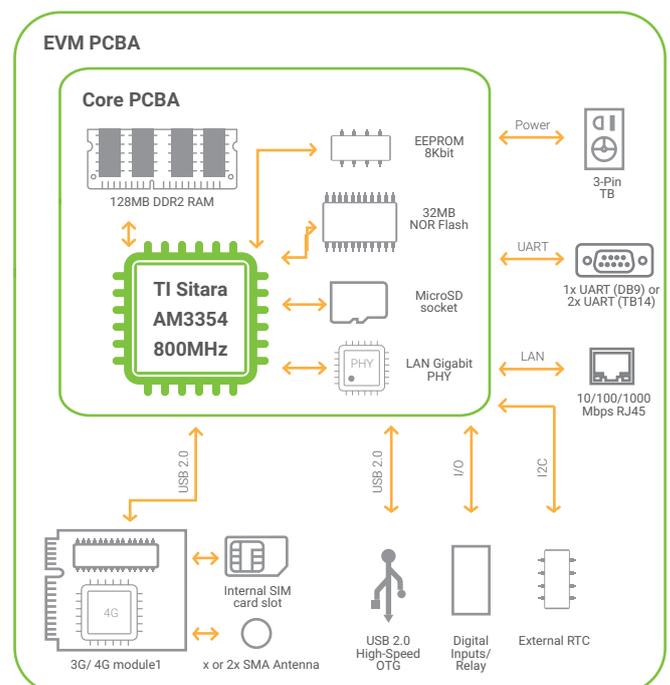
Scalability

If your embedded application requires a large amount of data storage, then you can use a dedicated micro SD socket and the integrated USB 2.0 high-speed port to flexibly increase storage space.

Additional Optional features

SE5901B is available in multiple versions. The IO-version provides 2 Isolated Digital Inputs and 2 Relay outputs. The -B version enhances the device you choose with an internal capacitor to provide up to 40 seconds of back-up power in the event of a power failure. This would allow you to relay back to the control station or to the user an alarm or to issue time-critical commands.

BLOCK DIAGRAM



* Test carried out with one VPN-IPsec Tunnel, Peer-to-Peer mode, Ethernet cable. Performance varies according to Cellular Network performance.

SPECIFICATIONS

| Hardware Specifications | | | |
|---|---|--|---|
| CPU | Texas Instruments Sitara ARM Cortex A8 AM3354 800MHz | | |
| Flash | 32 MB NOR Flash (supports up to 128 MB, ask Atop for further information) | | |
| RAM | 128 MB DDR2 (supports up to 512 MB, ask Atop for further information) | | |
| EEPROM | 24LC64 | | |
| Watchdog | ADM706 | | |
| Real Time Clock (RTC) | Yes - with external chip | | |
| Buzzer | Yes | | |
| Console port | Yes - on-board connector | | |
| Reset button | Yes | | |
| Wireless Interface | | | |
| Standard | GSM/ GPRS/ EDGE/ UMTS/ HSPA+/ SCDMA/ LTE | | |
| Wireless Module | EU version: Quectel EC25-E US version: Quectel EC20-A | | |
| Antennas/ SIM card | 1 (3G) or 2 (4G) - Included. Internal SIM card slot (x1) | | |
| Band Options | Version | Band | Bands |
| | EU | FDD LTE TDD LTE WCDMA GSM | 2100/1800/850/2600/900/800MHz (B1/B3/B5/B7/B8/B20) 2600/2300/2500MHz (B38/B40/B41) 2100/850/900MHz (B1/B5/B8) 900/1800 |
| | US | FDD LTE TDD LTE GSM | 1900/1700/850/700/700bMHz (B2/B4/B5/B12/B17) 1900/1700/850MHz (B2/B4/B5) 850/1900MHz |
| Data Rate | Version | Downlink Speed | Uplink Speed |
| | EU US | 150 Mbps 100 Mbps | 50 Mbps 50 Mbps |
| Network Interface | | | |
| Standards | IEEE 802.3, 802.3u, 802.3ab for 10BaseT/100BaseT(X), 1000BaseT(X) | | |
| Ethernet Ports | 1x 10/100/1000BASE-TX RJ-45 | | |
| Serial Interface | | | |
| Connector | D-Sub9 RS-232/485 software selectable (DB model) 14-Pin 5.08mm Terminal Block (integrated with DI/DOs) | | |
| Ports | 1 port RS-232/485 (2-wire) / 1 port RS-232 (IO model only) | | |
| Configuration | Baud Rate Flow Control | 50 ~ 921,600bps None, Xon/Xoff, RTS/CTS (RS-232 only) | |
| Other Interfaces | | | |
| Digital Inputs (DIs) Digital Outputs (DOs) | 2 channels photo coupler isolated digital input 2 channels digital output. N.O.(2A@24VDC) | | |
| USB ports | 2 x USB A Type (USB 2.0) - 1-port High-Speed OTG + 1-port power only | | |
| SD card | Micro-SD card slot (internal) | | |
| Power, Environmental and Mechanical | | | |
| Input Voltage | 9-48 VDC | | |
| Operating Temperature | -40°C~70°C (-40°F~158°F) | | |
| Dimensions | 32mm x 122mm x 92mm | | |

SE5901 SDK Series

1-Port Ethernet to Serial Industrial Embedded Edge Computer



FEATURED HIGHLIGHTS

- Ideal for IoT and IIoT applications; supports NodeRED and dashboard
- Wide -40°C~85°C temperature range for Industrial-grade reliability
- High-performance IPsec VPN throughput; data-rate up to 37.9Mbps*
- 2 x 10/100Mbps Ethernet port
- 1 x RS-232/422/485 port – baud rate up to 921.6 Kbps
- 1 x USB2.0 high speed OTG port
- Optional 802.3af PoE models can be powered by Ethernet cable
- ATOP customized Linux SDK environment with reliable APIs
- Rugged metal housing with wall or DIN-Rail mount support
- Industrial EMC protection

PRODUCT DESCRIPTION

Overview

SE5901 SDK is the perfect solution for advanced, high-performance Edge computing applications, where Industrial-Grade, well-protected EMC is necessary. Based on a high-performance TI Sitara AM3354-800MHz CPU, SE5901 embeds two Fast-Ethernet ports, one Serial port and a high-speed USB 2.0 port. CE and FCC certified, SE5901's wide Operation Temperature range allows deployment in critical environments.

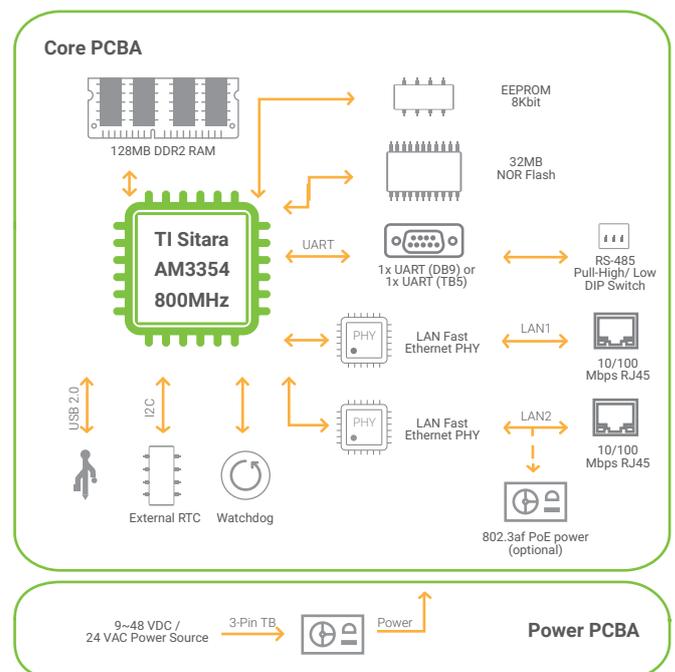
Scalability

If you embedded application requires a large amount of data storage, then you can use a dedicated micro SD socket and the integrated USB 2.0 high-speed port to flexibly increase storage space.

Additional Optional features

SE5901 is available in multiple versions. The serial port can be either with D-Sub 9 (DB9) connector or 5-Pin 5.08mm Terminal Block. And if wiring and power is critical for your application, then a dedicated PoE version allows the device to be powered through Ethernet Cable, by using any IEEE802.3af-Capable PoE Ethernet Switch upstream.

BLOCK DIAGRAM



* Test carried out with one VPN-IPsec Tunnel, Peer-to-Peer mode.

SPECIFICATIONS

| Hardware Specifications | | | | | | | | | |
|--|--|-----------|-----------------|-----------|------|-----------|------|--------------|---------------------------------------|
| CPU | Texas Instruments Sitara ARM Cortex A8 AM3354 800MHz | | | | | | | | |
| Flash | 16 MB NOR Flash (customizable upon request up to 128 MB) | | | | | | | | |
| RAM | 128 MB DDR2 (customizable upon request up to 512 MB) | | | | | | | | |
| EEPROM | 24LC64 | | | | | | | | |
| Watchdog | ADM706 | | | | | | | | |
| Real Time Clock (RTC) | Yes - with external chip | | | | | | | | |
| Buzzer | Yes | | | | | | | | |
| Console port | Yes - on-board connector | | | | | | | | |
| Reset button | Yes | | | | | | | | |
| Network Interface | | | | | | | | | |
| Standards | IEEE 802.3 for 10BaseT IEEE 802.3u for 100BaseT(X) | | | | | | | | |
| Ethernet Ports | 2x 10/100BASE-TX RJ-45 | | | | | | | | |
| Power over Ethernet | IEEE 802.3af on LAN2 (PoE version only) | | | | | | | | |
| Serial Interface | | | | | | | | | |
| Connector | D-Sub9 RS-232/485 software selectable (DB model) 5-Pin 5.08mm Terminal Block | | | | | | | | |
| Ports | 1 port RS-232/422/485 (2 and 4-wire) | | | | | | | | |
| Pull-high / Pull-low / Term. resistors | Selectable by DIP switch. | | | | | | | | |
| Configuration | <table border="0"> <tr> <td>Baud Rate</td> <td>50 ~ 921,600bps</td> </tr> <tr> <td>Data Bits</td> <td>7, 8</td> </tr> <tr> <td>Stop Bits</td> <td>1, 2</td> </tr> <tr> <td>Flow Control</td> <td>None, Xon/Xoff, RTS/CTS (RS-232 only)</td> </tr> </table> | Baud Rate | 50 ~ 921,600bps | Data Bits | 7, 8 | Stop Bits | 1, 2 | Flow Control | None, Xon/Xoff, RTS/CTS (RS-232 only) |
| Baud Rate | 50 ~ 921,600bps | | | | | | | | |
| Data Bits | 7, 8 | | | | | | | | |
| Stop Bits | 1, 2 | | | | | | | | |
| Flow Control | None, Xon/Xoff, RTS/CTS (RS-232 only) | | | | | | | | |
| Other interfaces | | | | | | | | | |
| USB ports | 1 x USB A Type (USB 2.0) - High-Speed OTG + power | | | | | | | | |
| Power | | | | | | | | | |
| Input Voltage | 9-48 VDC 24 VAC | | | | | | | | |
| Connector | 3-Pin 5.08mm Lockable Terminal Block | | | | | | | | |
| Power Consumption | 0.65A @ 9VDC (6 W Max) | | | | | | | | |
| Reverse Polarity Protection | Yes | | | | | | | | |
| Environmental limits | | | | | | | | | |
| Operating Temperature | -40°C~85°C (-40°F~185°F) | | | | | | | | |
| Storage Temperature | -40°C~85°C (-40°F~185°F) | | | | | | | | |
| Ambient Relative Humidity | 5%~95%, (Non-condensing) | | | | | | | | |
| Mechanicals | | | | | | | | | |
| Housing | IP30 protection, SPCC metal housing | | | | | | | | |
| Dimensions(W x H x D) | 32 x 110 x 90 mm (1.26 x 4.33 x 3.54 in) | | | | | | | | |
| Installation | DIN-Rail or Wall-Mount (optional kit) | | | | | | | | |
| Weight | 400 g | | | | | | | | |
| Reset Button | Yes | | | | | | | | |

SE5904D SDK Series

4-Port Ethernet to Serial Industrial Embedded Edge Computer



FEATURED HIGHLIGHTS

- Ideal for IoT and IIoT applications; supports NodeRED and dashboard
- Wide -40°C~85°C temperature range for Industrial-grade reliability
- High-performance IPsec VPN throughput; data-rate up to 37.9Mbps*
- 2 x 10/100Mbps Ethernet port
- 4 x RS-232/422/485 port – models available with or without isolation
- 1 x USB2.0 high speed OTG port
- Optional 802.3af PoE models can be powered by Ethernet cable
- ATOP customized Linux SDK environment with reliable APIs
- Rugged metal housing with wall or DIN-Rail mount support
- Industrial EMC protection

PRODUCT DESCRIPTION

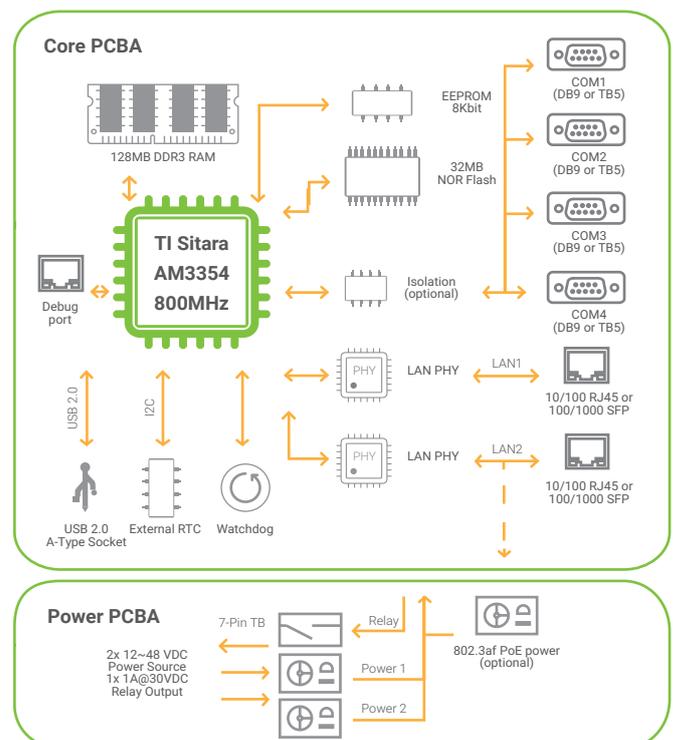
Overview

SE5904D SDK is perfect for deployment of high-performance Edge computing applications and for scenarios that require multiple serial ports. Based on a powerful TI Sitara AM3354-800MHz CPU, it can be embedded with two Fast-Ethernet RJ45 ports or two Gigabit SFP Slots, four isolated or non-isolated Serial ports and a high-speed USB 2.0 port. CE, FCC, and UL61010-2-201 Certified, SE5904D's wide Operation Temperature, redundant power input and well EMC-protected hardware make it perfect for utilization in harsh environments.

Additional Optional features

SE5904D is available in multiple versions. The serial port can be either with D-Sub 9 (DB9) connector or 5-Pin 5.08mm Terminal Block (with/without isolation). If supplying power cabling is a concern, then a PoE version allows the device to be powered by using any IEEE802.3af-Capable PoE Ethernet Switch upstream. And for long distance wiring, the Gigabit SFP version supports the use of fiber optic cabling.

BLOCK DIAGRAM



* Test carried out with one VPN-IPsec Tunnel, Peer-to-Peer mode.

SPECIFICATIONS

| Hardware Specifications | | |
|---------------------------------------|---|--|
| CPU | Texas Instruments Sitara ARM Cortex A8 AM3354 800MHz | |
| Flash | 32 MB NOR Flash (customizable upon request up to 128 MB) | |
| RAM | 128 MB DDR3 (customizable upon request up to 512 MB) | |
| EEPROM | 24LC64 | |
| Watchdog | ADM706 | |
| Real Time Clock (RTC) | Yes - with external chip | |
| Buzzer | Yes | |
| Console port | Yes - RJ45 connector | |
| Reset button | Yes | |
| Network Interface | | |
| Standards | IEEE 802.3 for 10BaseT IEEE 802.3u for 100BaseT(X) and 100BaseF(X) IEEE 802.3z for 1000Base-X | |
| Ethernet Ports | 2x 10/100 Mbps RJ-45 or 2x 100/1000 Mbps SFP slot (SFP version) | |
| Power over Ethernet | IEEE 802.3af on LAN2 (PoE version only) | |
| Serial Interface | | |
| Connector | D-Sub9 RS-232/485 software selectable (DB model) 5-Pin 5.08mm Terminal Block (TB and SiS model) | |
| Ports | 4 port RS-232/422/485 (2 and 4-wire) + 1 RJ45 console port | |
| Serial Port Isolation | 3 kV (SiS version only) | |
| Pull-high / Pull-low /Term. resistors | Software selectable. | |
| Configuration | Baud Rate Flow Control | 50 ~ 921,600bps None, Xon/Xoff, RTS/CTS (RS-232 only) |
| Other interfaces | | |
| USB ports | 1 x USB A Type (USB 2.0) - High-Speed OTG + power | |
| Power | | |
| Input Voltage | 12~48 VDC IEEE802.3 af (PoE) through LAN 2 - PoE version only | |
| Power Redundancy | Yes, 2 independent power inputs | |
| Relay Output | 1x 1A @30 VDC (normal open) | |
| Connector | 7-Pin 5.08mm Lockable Terminal Block | |
| Power Consumption | 0.65A @ 9VDC (6 W Max) | |
| Reverse Polarity Protection | Yes | |
| Environmental limits | | |
| Operating Temperature | -40°C~85°C (-40°F~185°F) | |
| Storage Temperature | -40°C~85°C (-40°F~185°F) | |
| Ambient Relative Humidity | 5%~95%, (Non-condensing) | |
| Mechanicals | | |
| Housing | IP30 protection, SPCC metal housing | |
| Dimensions(W x H x D) | 55 x 145 x 113 mm | |
| Installation | DIN-Rail or Wall-Mount (optional kit) | |
| Weight | 400 g | |
| Reset Button | Yes | |

SE5908 / SE5916 SDK Series

8 or 16-Port Ethernet to Serial Industrial Embedded Rack-mount Edge Computer



FEATURED HIGHLIGHTS

- Ideal for IoT and IIoT applications; supports NodeRED and dashboard
- Wide -20°C~70°C temperature range for Industrial EMC Protection
- High-performance IPsec VPN throughput; data-rate up to 37.9Mbps*
- 2 x 10/100Mbps Ethernet port
- Up to 16 x RS-232/422/485 port – selectable baud rate up to 921.6 Kbps
- 3 kV optional isolation on the serial ports (supports RS-485/422 only)
- SD Card slot
- Customizable LCM matrix and keypad
- Atop customized Linux SDK environment with reliable APIs
- 100~240VAC or 24~48VDC power input; one Relay Output alarm
- Rugged metal housing in 1U Rack-mount (rack-mount kit included)

PRODUCT DESCRIPTION

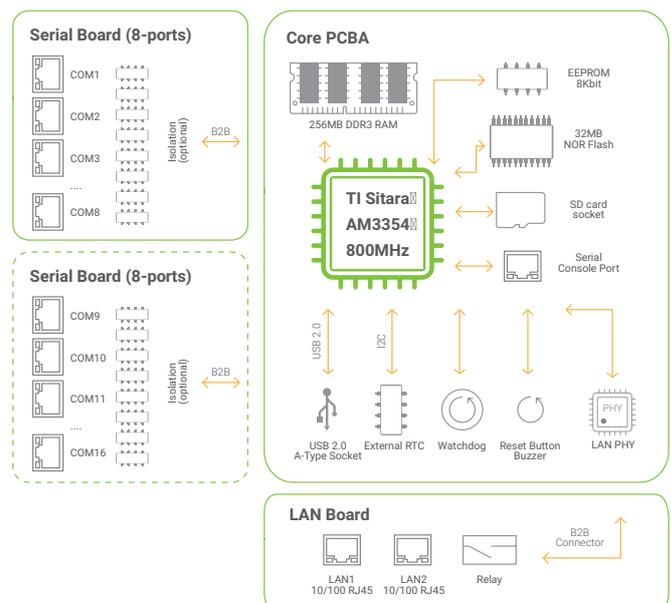
Overview

SE5908/16 SDK is our rack-mounted Industrial solution for high-port density Edge Computing applications. Based on a high-performance TI Sitara AM3354-800MHz CPU, the SE5908/16 Series integrates up to 16 RJ45 Isolated/non-Isolated Serial ports, two RJ45 Fast-Ethernet ports, Relay output, SD card socket, high-speed USB 2.0 port, and a programmable LCD Display and Keypad. Its Industrial-grade EMC Level-3 Hardware allows for deployment in harsh environments in temperatures between -20°C to 70°C.

Versions

The SE5908/16 Series is available with either 8 (SE5908) or 16 (SE5916) RJ45 serial ports, supporting RS-232, RS-485, and RS-422 standards. The optional 2.5kV serial port isolation (supporting RS-422 and RS-485 only) further protects the device from the dangers that come from the serial line. SE5908/16 is available with 100~240VAC power input or 24~48 VDC power input.

BLOCK DIAGRAM



* Test carried out with one VPN-IPsec Tunnel, Peer-to-Peer mode.

SPECIFICATIONS

| Hardware Specifications | | |
|---|--|--|
| CPU | Texas Instruments Sitara ARM Cortex A8 AM3354 800MHz | |
| Flash | 32 MB NOR Flash (customizable upon request up to 128 MB) | |
| RAM | 256 MB DDR3 (customizable upon request up to 512 MB) | |
| EEPROM | 24LC64 | |
| Watchdog | ADM706 | |
| Real Time Clock (RTC) | Yes - with external chip | |
| Buzzer | Yes | |
| Console port | Yes - on-board connector | |
| Reset button | Yes | |
| Network Interface | | |
| Standards | IEEE 802.3 for 10BaseT, IEEE 802.3u for 100BaseT(X) | |
| Ethernet Ports | 2x 10/100 BASE-TX RJ-45 | |
| Serial Interface | | |
| Connector | RJ45 connector | |
| Ports | SE5908: 8 ports (RS-232/RS-422/RS-485, RS-422/RS-485 on Isolation vers.) SE5916: 16 ports (RS-232/RS-422/RS-485, RS-422/RS-485 on Isolation vers.) | |
| Serial Console | 1x Serial Console port (RJ45) | |
| Serial Port Isolation | 2.5 kV (SiS version only) - Isolation version supports only RS-422/RS-485 | |
| Pull-high / Pull-low /Term. resistors | Software selectable. | |
| Configuration | Baud Rate Flow Control | 50 ~ 921,600bps None, Xon/Xoff, RTS/CTS (RS-232 only) |
| Relay Output | | |
| Relay Output | 1x 1A@30VDC (Normal open) | |
| Other interfaces | | |
| USB ports | 1 x USB A Type (USB 2.0) - internal 1-port High-Speed OTG + power | |
| LCM Matrix | Programmable LCM Matrix with 5-buttons | |
| SD card | SD card slot (internal) | |
| Power | | |
| Input Voltage Input Current Power Consumption | DC version: 24 - 48VDC; US-EU version: 100~240 VAC (EU or US Plug) DC version: 0.54 A @24VDC; US-EU version: 0.21A@100VAC Approximately 21 W (Max) | |
| Connector | DC version: 5.08mm 3-pin Lockable Terminal Block EU-US version: IEC 60320-1 C14 AC Power Inlet | |
| Power Redundancy | No | |
| Reverse Polarity Protection | Yes (DC version only) | |
| Environmental limits | | |
| Operating Temperature Storage Temperature Ambient Relative Humidity | -20°C~70°C (-4°F~158°F) -40°C~85°C (-40°F~185°F) 5%~95% (Non-condensing) | |
| Mechanicals | | |
| Housing | IP30 protection, SPCC metal housing | |
| Dimensions(W x H x D) | 436 mm x 43.5 mm x 200 mm | |
| Installation | 19" Rack-Mount (Kit included) | |

SE5900A / 08A /16A SDK Series

IEC61850-3 certified Industrial Embedded Computer, with up to 16 Serial Ports



FEATURED HIGHLIGHTS

- IEC 61850-3 certified for easy setup in IEC 61850-3 substations
- Ideal for IoT and IIoT applications; supports NodeRED apps and dashboard
- Wide -40°C~85°C temperature range; Industrial EMC protection
- 6 x 10/100Mbps RJ45 ports or 6 x 100Mbps SFP Slots
- Up to 16 x RS-232/422/485 ports – selectable baud rate up to 921.6 Kbps
- 3 kV optional isolation on the serial ports (supports RS-485/422 only)
- Internal SD Card slot
- Atop customized Linux SDK environment with reliable APIs
- Redundant Power Input for fault protection: either 24~48 VDC or High-Voltage AC/DC (100~240VAC or 100~370VDC)
- Rugged metal housing in 1U Rack-mount (rack-mount kit included)

PRODUCT DESCRIPTION

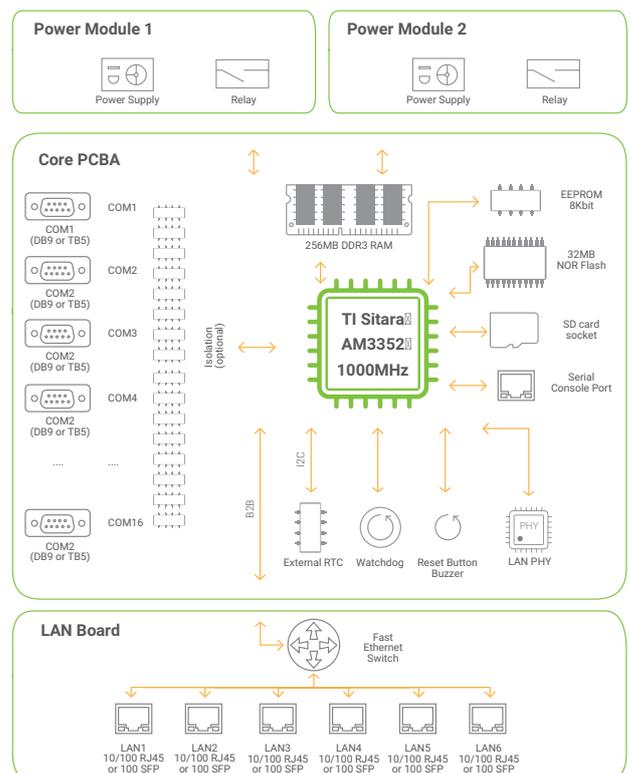
Overview

Complying with stringent IEC 61850-3 requirements for EMC protection and for use in harsh environments, the SE5900A series is a Smart-Grid Edge Computer that can be customized for your specific application. Its TI Sitara AM3352 1000MHz Processing power and reliable ATOP SDK SE5900A provides up to 16 isolated or non-isolated Serial Interfaces, and 6 Fast Ethernet ports or 6 100Mbps SFP slots – plus SD-card expansion potential.

Additional Optional features

SE5900A is available with 8 (SE5908A), 16 (SE5916A) or no D-Sub 9, TB5 (isolated/non-isolated) Serial ports. It is also available with 6 Copper or Fiber LAN interfaces, redundant power input and two Relay outputs. The SE5900A Series can be powered via 24~48VDC, 100~240VAC or 100~370 VDC, commonly used in Substation applications.

BLOCK DIAGRAM



* Test carried out with one VPN-IPsec Tunnel, Peer-to-Peer mode.

SPECIFICATIONS

| Hardware Specifications | | |
|---------------------------------------|--|--|
| CPU | Texas Instruments Sitara ARM Cortex A8 AM3352 1000MHz | |
| Flash | 32 MB NOR Flash (customizable upon request up to 128 MB) | |
| RAM | 256 MB DDR3 (customizable upon request up to 1 GB) | |
| EEPROM | 24LC64 | |
| Watchdog | ADM706 | |
| Real Time Clock (RTC) | Yes - with external chip | |
| Buzzer | Yes | |
| Console port | Yes - RJ45 Serial Console | |
| Reset button | Yes | |
| Network Interface | | |
| Standards | IEEE 802.3 for 10BaseT IEEE 802.3u for 100BaseT(X) and 100BaseF(X) | |
| Ethernet Ports | 6x 10/100 BASE-T(X) RJ45 or 6x 100 BASEF(X) SFP Slots (SFP version) | |
| Ethernet Switch | Embedded 8-Ports Fast-Ethernet Switch (configurable). Each port can work as single Subnet or as Switch. | |
| Serial Interface | | |
| Connector | DB version: D-Sub9 (DB9) connector TB and SiS version: 5-Pin Terminal Block (5.08mm) | |
| Ports | SE5900A: no serial ports SE5908A: 8 ports (RS-232/RS-422/RS-485, RS-422/RS-485 on Isolation vers.) SE5916A: 16 ports (RS-232/RS-422/RS-485, RS-422/RS-485 on Isolation v.) | |
| Serial Console | 1x Serial Console port (RJ45) | |
| Serial Port Isolation | 3 kV (SiS version only) - Isolation version supports only RS-422/RS-485 | |
| Pull-high / Pull-low /Term. resistors | Software selectable. | |
| Configuration | Baud Rate Flow Control | 50 ~ 921,600bps None, Xon/Xoff, RTS/CTS (RS-232 only) |
| Relay Output | | |
| Relay Output | 2x 1A@30VDC (Normal open) | |
| Other interfaces | | |
| USB ports | No | |
| SD card | SD card slot (internal) | |
| Power | | |
| Input Voltage | Redundant 24-48 VDC or Redundant 100-240 VAC/ 100-370 VDC (HV Series) | |
| Input Current | 0.73 A @ 24 VDC, 0.35 A @ 100 VAC, 0.20 A @ 100 VDC | |
| Power Consumption | Approximately 20 W | |
| Connector | 10-Pin Terminal Block | |
| Power Redundancy | Yes | |
| Environmental limits | | |
| Operating Temperature | -40°C~85°C (-40°F~185°F) | |
| Storage Temperature | -40°C~85°C (-40°F~185°F) | |
| Mechanicals | | |
| Dimensions(W x H x D) | 440.6 x 44 x 309 mm (1U Rack-mount) | |



TAIWAN HEAD OFFICE

2F, No. 148, Sec. 1, Tung-Hsing Rd,
30261 Chupei City, Hsinchu County
Taiwan, R.O.C.
Tel: +888-3-550-8137
Fax: +886-3-550-8131
E-mail: sales@atop.com.tw

ATOP INDIA OFFICE

Abhishek Srivastava
Head of India Sales
Atop Communication Solutions(P) Ltd.
No. 22, Kensington Terrace,
Kensington Rd,
Bangalore, 560008, India
Tel: +91-80-4920-6363
E-mail: Abhishek.S@atop.in

ATOP EMEA OFFICE

Bhaskar Kailas (BK)
Vice President (Business Development)
Atop Communication Solutions(P) Ltd.
No. 22, Kensington Terrace,
Kensington Rd.
Bangalore, 560008, India
Tel: +91-988-0788-559
E-mail: Bhaskar.k@atop.in

ATOP AMERICAs OFFICE

Venke Char
Sr. Vice President & Head of Business
11811 North Tatum Blvd, Suite 3031
Phoenix, AZ 85028, United States
Tel: +1-602-953-7669
E-mail: venke@atop.in

ATOP CHINA BRANCH

3F, 75, No. 1086 Building,
Qingzhou North Road
Shanghai, China
Tel: +86-21-64956231

ATOP INDONESIA BRANCH

PT.Atop Indonesia Technologies
Wisma Slipi, Jl. Let.Jend. S. Parman Kav.
12, Unit : 308, Jakarta Barat 11480
Indonesia
Tel. (+62-21)5326171
Fax. (+62-21)5326172
E-mail : jopsonli@atop.com.tw

