



FEATURE HIGHLIGHTS

Technology

- 10/100BaseT(X) (RJ45)
- Broadcast storm protection
- Support IEEE 802.3/ 802.3u/ 802.3x
- 10/100M, Full/Half-Duplex, MDI/MDI-X auto-detection
- Support 802.1Q/p QoS, prioritizing critical packets such as PROFINET packets

Reliability

- Redundant dual DC power inputs
- Operating temperature ranges from -10°C ~ 70°C
- Rugged high-strength housing
- DIN-Rail or wall mounting ability
- Slim-size housing (EH2304-PR)

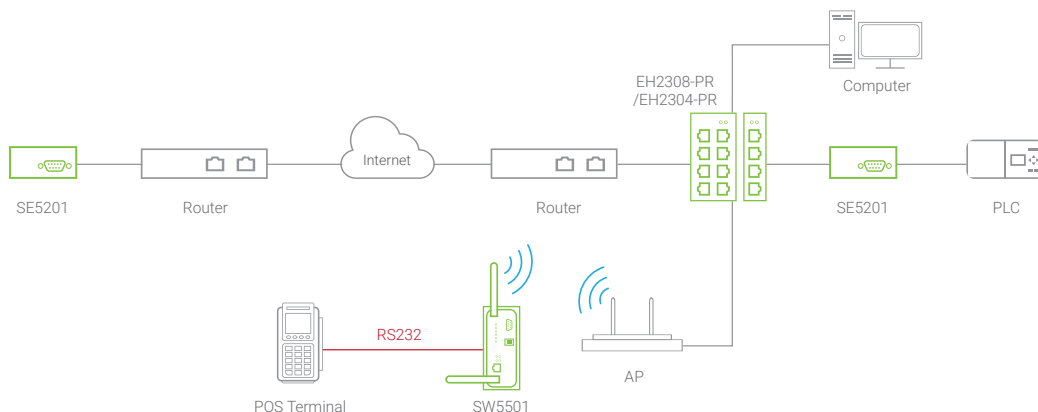
PRODUCT DESCRIPTION

EH2308-PR/EH2304-PR are with 8/4 RJ-45 ports for your industrial applications. They are designed to work in the industrial environment, such as in hazardous locations and compliant with CE, FCC, UL, and RoHSII standards.

EH2308-PR /EH2304-PR protect themselves from receiving over broadcast packets.

During normal use, broadcast packets will be forwarded to all ports, except the source port. However, it will discard broadcast or multicast packets if the number of those packets exceeds a threshold in a preset period of time. When the preset period expires (about 800ms), it will then resume receiving broadcast or multicast packets until the threshold is reached again.

EH2308-PR/EH2304-PR provide two redundant power inputs that can be connected simultaneously to wide-range DC power sources. If one of the power inputs failure, the another live source acts as a backup to provide the EH2308-PR/EH2304-PR power input automatically.



SPECIFICATIONS

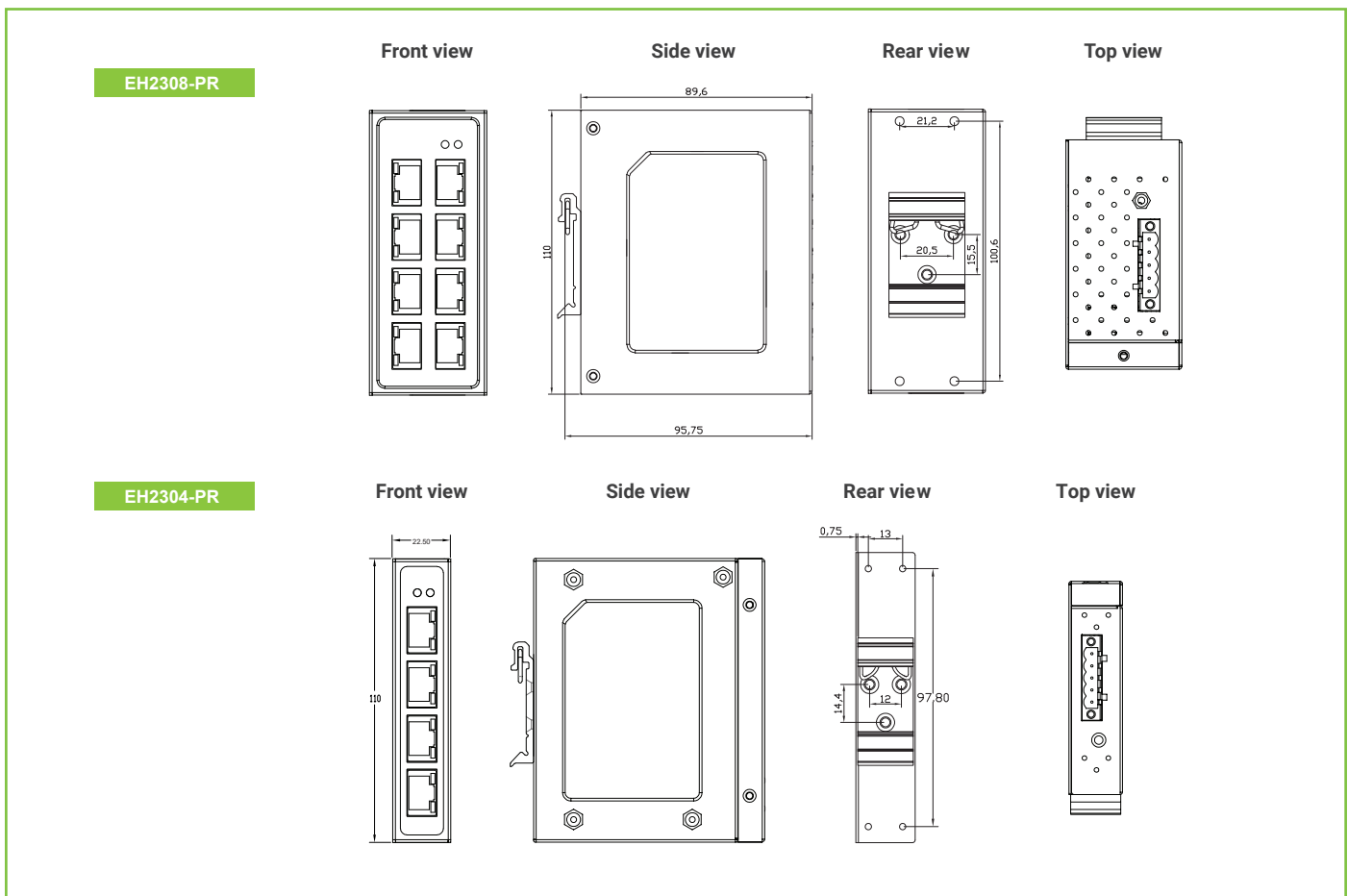
Technical Specifications	
Model Name	EH2308-PR / EH2304-PR
Technology	
Standards	IEEE802.3, 802.3u, 802.3x IEEE802.1Q/p
Processing Type	Store and Forward
Flow Control	IEEE802.3x flow control, backpressure flow control
Interface	
RJ-45 Ports	10/100BaseT(X) auto negotiation speed Full/Half-duplex mode, and auto MDI/MDI-X connection
LED Indicators	Power, 10/100M
Power	
Input	9-48 VDC, Dual inputs
Consumption	EH2308-PR 6.4 Watts Max. / EH2304-PR 4.0 Watts Max.
Connector	Removable 5-pin Terminal Block for power input
Reverse Polarity Protection	Present
Environment	
Operating	-10°C ~ 70°C (14°F ~ 158°F)
Storage	-40°C ~ 85°C (-40°F ~ 185°F)
Ambient Relative Humidity	5%~95% non-condensing
Physical Characteristics	
Housing	IP30 protection, SECC, Black
Dimension (W x H x D)	EH2308-PR 45.3mm x 110mm x 89.6mm EH2304-PR 22.5mm x 110mm x 78mm
Weight	EH2308-PR 460g / EH2304-PR 320g

REGULATORY APPROVALS

Regulatory Approvals	
UL(Safety)	UL60950-1 2nd Ed. / CSA C22.2 No.60950-1-07 2nd Ed. / CB (IEC60950-1 / IEC62368-1)
FCC(EMI)	FCC 47 CFR Part15, Subpart B, Class A
CE(EMI)	European Standard EN 55032:2012+AC:2013 EN61000-6-4:2007+A1:2011
CE(EMS)	EN 55024: 2010 EN 61000-6-2:2005+AC:2005 IEC 61000-4-2: 2008 IEC 61000-4-3: 2010 IEC 61000-4-4: 2012 IEC 61000-4-5: 2005 IEC 61000-4-6: 2008 IEC 61000-4-8: 2009

Shock	IEC 60068-2-27
Drop	ISTA Test Procedure 2A
Vibration	IEC 60068-2-64
RoHS	Lead(Pb) Free
MTBF	EH2304-PR 673300 hrs/ 76.86 years EH2308-PR 515600 hrs/ 58.86 years
Warranty	5 Years

DIMENSIONS & LAYOUT



ORDERING INFORMATION

Optional Accessories	
Power adapter	UN315-1212 (US-Y): Y-Type power adapter, 100~240VAC input, 1.25A @ 12VDC output, US plug, LV6
	UNE315-1212 (EU-Y): Y-Type power adapter, 100~240VAC input, 1.25A @ 12VDC output, EU plug, LV6