

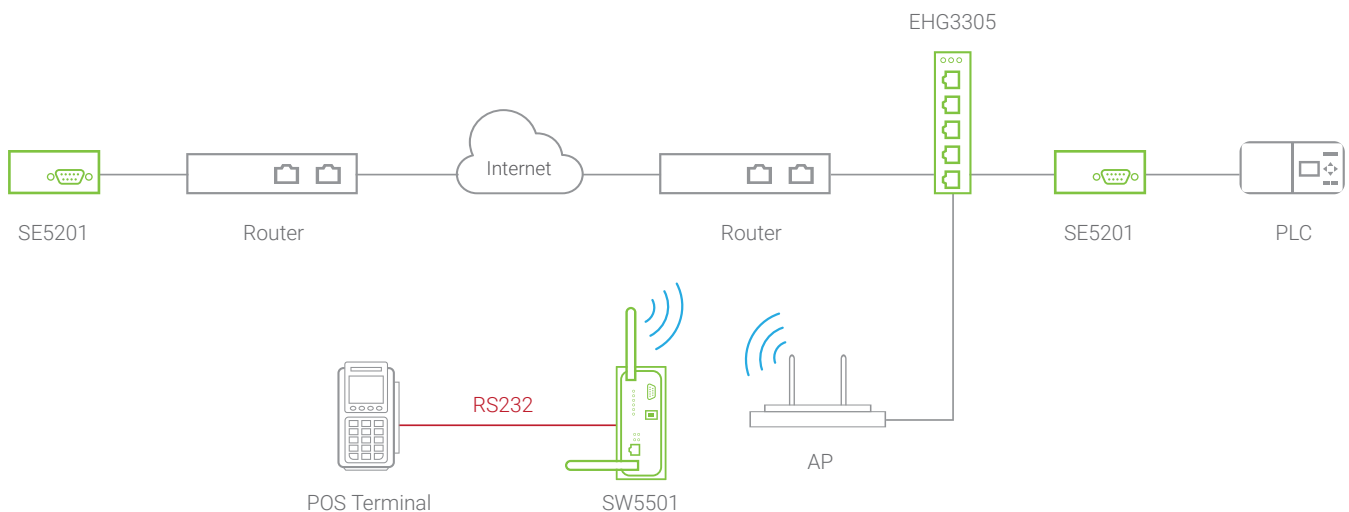


FEATURE HIGHLIGHTS

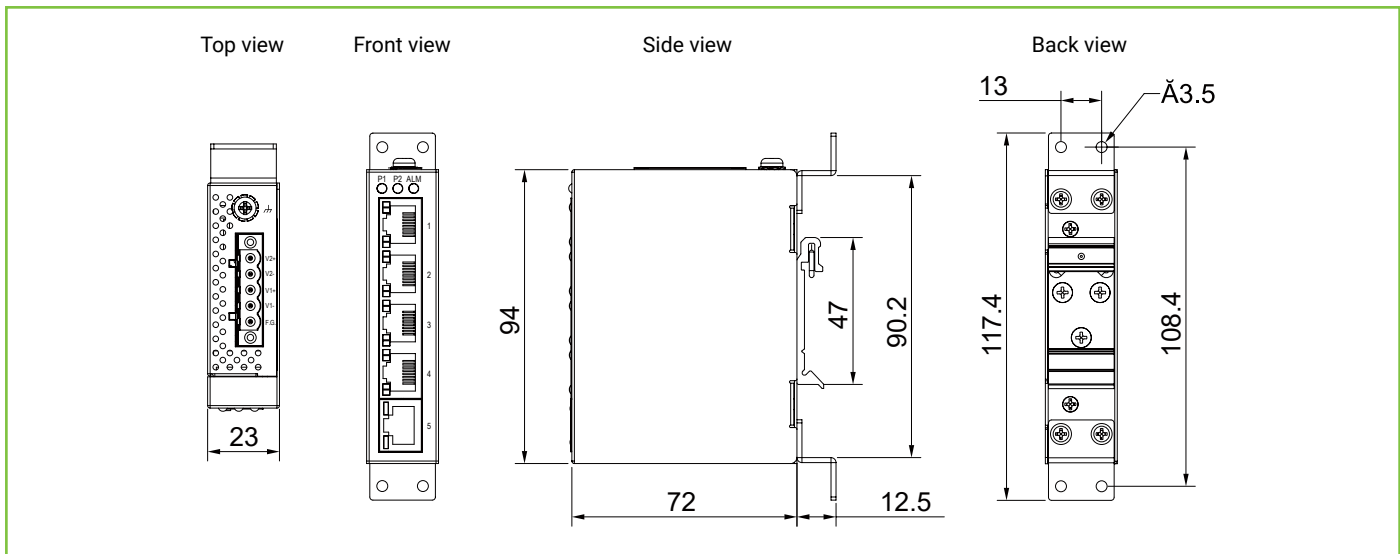
- 5 x 10/100/1000 Base-T(X) RJ45
- Support 10K Jumbo frames
- Support 802.3zx Energy Efficient Ethernet for power savings
- Redundant DC power input
- Operation temperature from -40~70°C
- DIN-Rail mounting
- Slim type, SPCC housing

PRODUCT DESCRIPTION

EHG3305 is a slim, entry-level unmanaged switch with 5 RJ-45 ports and strict QoS packet prioritization according to 802.1p. Designed for industrial and especially for hazardous locations, it fits into small spaces in cabinets or between walls, and complies with CE, FCC and UL standards, while featuring a robust metal housing. Redundant power inputs allow simultaneous connection to wide-range DC power sources, so in case one of the power inputs fail, the other live source automatically acts as a backup to provide power.



DIMENSIONS & LAYOUT



SPECIFICATIONS

Technical Specifications	
Model Name	EHG3305
Switch Properties	
Processing Scheme	Store-and-Forward
MAC Table Size	8K
Packet Buffer	1Mb
Jumbo Frame	10K Bytes
Ethernet	
Compliance	IEEE 802.3 for 10Base-T IEEE 802.3u for 100Base-T(X) IEEE 802.3ab for 1000Base-T IEEE 802.3z for 1000Base-X IEEE 802.3x for Flow Control, back pressure flow control IEEE 802.1q/p for VLAN Tagging and Class of Service IEEE 802.3az for Energy Efficient Ethernet
Auto MDI/MDI-X	Yes
Power	
Dual Input Voltage	12 - 48 VDC
Input Current	0.5 A max.
Power Consumption	6 W max.
Reverse Polarity Protection	Present
Connection	Lockable 5-pin terminal blocks for power input

LED	
Indicators	PWR1, PWR2, Alarm, ALM, LAN
Physical Characteristics	
Housing	IP30 protection, SPCC, Black
Dimension (W x H x D)	Slim type, 23mm x 94mm x 72mm
Weight	TBD
Installation	DIN-Rail mounting
Environmental Limits	
Operating Temperature	-40 to 70°C (-40°F to 158°F)
Storage Temperature	-40 to 85°C (-40°F to 185°F)
Ambient Relative Humidity	5 to 95%, 55°C (non-condensing)

REGULATORY APPROVALS

Regulatory Approvals						
Safety	UL/IEC(CB)61010-1, 61010-2-201					
FCC(EMI)	FCC Part 15, Subpart B, Class A					
CE(EMI)	EN 55032:2015/AC:2016 Class A EN 61000-3-2: 2014 EN 61000-3-3: 2013 EN 61000-6-4: 2007 + A1: 2011					
CE(EMS)	EN 55024:2010 + A1: 2015 EN 61000-6-2:2005 + AC: 2005					
Test	Version		Item	Value	Level	Criterion
IEC 61000-4-2	2008	ESD	Contact Discharge	±6KV	3	B
			Air Discharge	±8KV	3	B
IEC 61000-4-3	2010	RS	80-1000MHz	10 (V/m)	3	A
IEC 61000-4-4	2012	EFT	DC Power Port	±2.0KV	3	B
			LAN Port	±2.0KV	4	B
IEC 61000-4-5	2014	Surge	DC Power Port	Line-to Line±0.5KV	3	B
			DC Power Port	Line-to Earth±0.5KV	3	B
			LAN Port	Line-to Earth±2.0KV	3	B
IEC 61000-4-6	2013	CS	0.15-80MHz	10 Vrms	3	A
IEC 61000-4-8	2009	PfMF	Enclosure	AC 50Hz 30A/m	4	A
Noise Immunity	Simulator noise 500 Vp-p, noise width: 1 µs by noise simulator of 25 to 60 Hz in noise frequency (TBD)					
RoHS	YES					
MTBF	20 years (TBD)					
Warranty	5 Years					

ORDERING INFORMATION

Ordering information

Model name	Part Number	Enclosure	RJ45 ports
EHG3305	1P1EHG33050001G	Metal	5

Optional Accessories

Model name	Part Number	Description
SDR-75-24	50500752240001G	75W/3.2A DIN-Rail 24VDC power supply with universal 88~264VAC / 124~370VDC input