

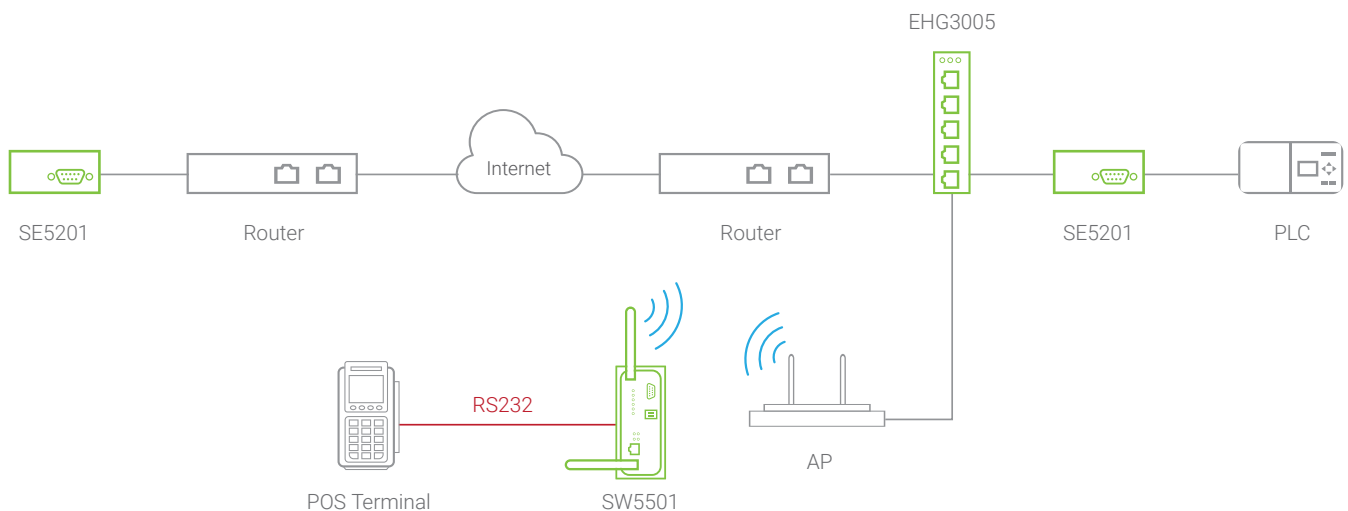


### FEATURE HIGHLIGHTS

- 5 x 10/100/1000 Base-T(X) RJ45
- Support 10K Jumbo frames
- Support 802.3z Energy Efficient Ethernet for power savings
- Redundant DC power input
- Operation temperature from 0 °C to 60 °C
- DIN-Rail mounting
- Slim type, plastic housing

### PRODUCT DESCRIPTION

EHG3005 is a slim, entry-level unmanaged switch with 5 RJ-45 ports and strict QoS packet prioritization according to 802.1p. Designed for industrial and especially for hazardous locations, it fits into small spaces in cabinets or between walls, and complies with CE, FCC and UL standards, while featuring polycarbonate housing for cost efficiency. Redundant power inputs allow simultaneous connection to wide-range DC power sources, so in case one of the power inputs fail, the other live source automatically acts as a backup to provide power.



## SPECIFICATIONS

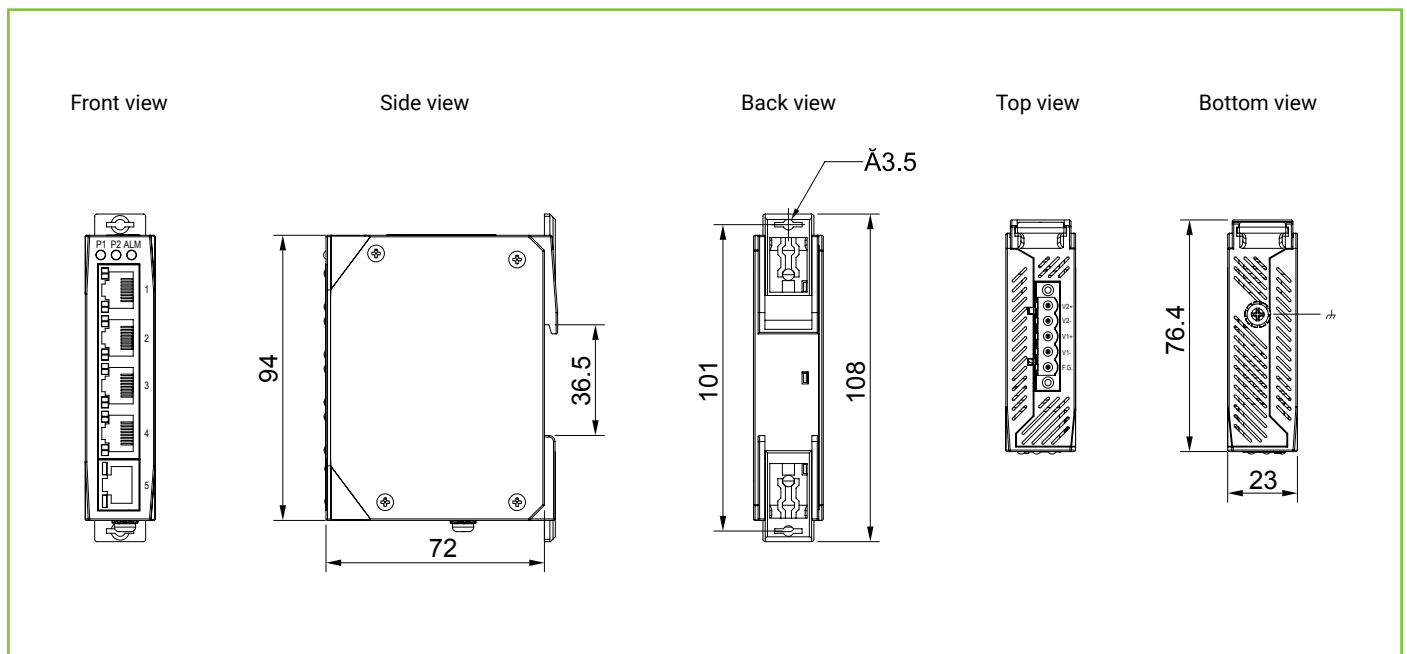
Technical Specifications	
Model Name	EHG3005
Switch Properties	
Processing Scheme	Store-and-Forward
MAC Table Size	8K
Packet Buffer	1Mb
Jumbo Frame	10K Bytes
Ethernet	
Compliance	IEEE 802.3 for 10Base-T IEEE 802.3u for 100Base-T(X) IEEE 802.3ab for 1000Base-T IEEE 802.3z for 1000Base-X IEEE 802.3x for Flow Control, back pressure flow control IEEE 802.1q/p for VLAN Tagging and Class of Service IEEE 802.3az for Energy Efficient Ethernet
Auto MDI/MDI-X	Yes
Power	
Dual Input Voltage	12 - 48 VDC
Input Current	0.5 A max.
Power Consumption	6 W max.
Reverse Polarity Protection	Present
Connection	Lockable 5-pin terminal blocks for power input
LED	
Indicators	PWR1, PWR2, Alarm, ALM, LAN
Physical Characteristics	
Housing	IP30 protection, Plastic, Black
Dimension (W x H x D)	Slim type, 23mm x 94mm x 72mm
Weight	TBD
Installation	DIN-Rail mounting
Environmental Limits	
Operating Temperature	0°C to 60°C (32°F to 140°F)
Storage Temperature	-20°C to 70°C (-4°F to 158°F)
Ambient Relative Humidity	5 to 95%, 55°C (non-condensing)

## REGULATORY APPROVALS

Regulatory Approvals	
Safety	UL/IEC 62368-1
FCC(EMI)	FCC Part 15, Subpart B, Class A
CE(EMI)	EN 55032:2013 EN 61000-3-2: 2014, Class A EN 61000-3-3: 2013 EN 61000-6-4: 2007 + A1: 2011
CE(EMS)	EN 55024: 2010 + A1:2015 EN 61000-6-2: 2005 + AC: 2005

Test	Version	Item	Value	Level	Criterion	
IEC 61000-4-2	2008	ESD	Contact Discharge	±6KV	3	B
			Air Discharge	±8KV	3	B
IEC 61000-4-3	2010	RS	80-1000MHz	10 (V/m)	3	A
IEC 61000-4-4	2012	EFT	DC Power Port	±2.0KV	3	B
			LAN Port	±2.0KV	4	B
IEC 61000-4-5	2014	Surge	DC Power Port	Line-to Line±0.5KV	3	B
			DC Power Port	Line-to Earth±0.5KV	3	B
			LAN Port	Line-to Earth±2.0KV	3	B
IEC 61000-4-6	2013	CS	0.15-80MHz	10 Vrms	3	A
IEC 61000-4-8	2009	PFMF	Enclosure	AC 50Hz 10A/m	3	A
IEC 61000-4-11	2004	DIP	AC Power Port	-	-	-
Shock	MIL-STD-810F Method 516.5					
Drop	MIL-STD-810F Method 516.5					
Vibration	MIL-STD-810F Method 514.5 C-1 & C-2					
Noise Immunity	Simulator noise 500 Vp-p, noise width: 1 μs by noise simulator of 25 to 60 Hz in noise frequency (TBD)					
RoHS	YES					
MTBF	20 years (TBD)					
Warranty	5 Years					

## DIMENSIONS & LAYOUT



## ORDERING INFORMATION

### Ordering information

Model name	Part Number	Enclosure	RJ45 ports
EHG3005	1P1EHG30050001G	Plastic	5

### Optional Accessories

Model name	Part Number	Description
SDR-75-24	50500752240001G	75W/3.2A DIN-Rail 24VDC power supply with universal 88~264VAC / 124~370VDC input